

EL[®]MARK

The Brand of Electricity

LED WALL FIXTURE FRANCY



TECHNICAL SPECIFICATION

FACADE AND GROUND

ELMARK[®]

The Brand of Electricity

Technical data:

- Rated voltage: 230V / 50-60Hz
- Power: 6W
- Colour temperature: 4000K
- Colour rendering index: Ra≥80
- Switch on/off > 15 000
- Average Lifetime: 30 000h
- Operating temperature: -20° ÷ + 65°C
- Body material: Resin
- Colour body: White; Black
- Lamp holder: 1XE27
- Insulation class: II
- Protection against dust and moisture: IP66
- Suitable for wall and ceiling installation.

Features:

- Bulkhead lamp with no visible screws and front light emission.
- Made of shockproof resin material, UV-rays stabilized, rust and corrosion-free.
- Wide distribution of even and stable light
- Economic- low power consumption
- Repeated switch on/off does not effect the fixture lifespan
- Instant light at maximum luminous flux
- Environmentally friendly - no mercury and lead
- No ultraviolet and infrared rays
- Resistant to shock and vibration stable body



TECHNICAL SPECIFICATION

FACADE AND GROUND

ELMARK

The Brand of Electricity

Area of application:

- Suitable for outdoor use
- Additional, aesthetic, spectacular, architectural lighting for gardens, parks, yard or other outdoor spaces

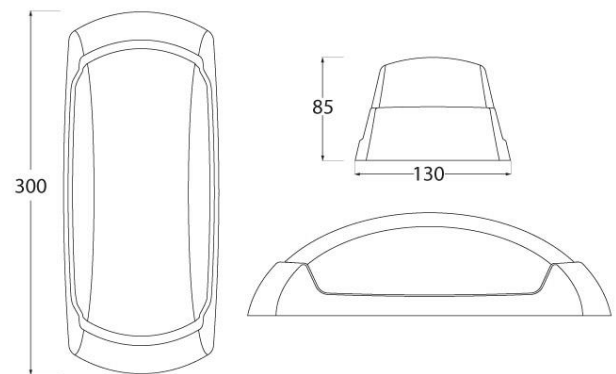
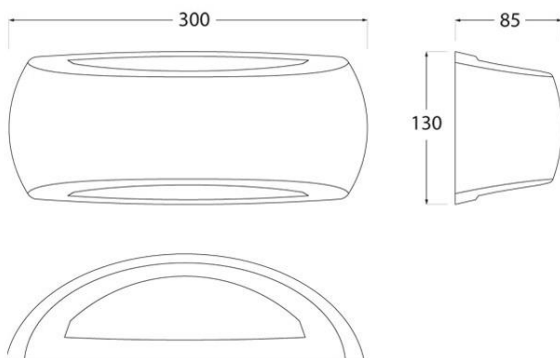
Variants and Dimensions:



FRANCY



FRANCY OP



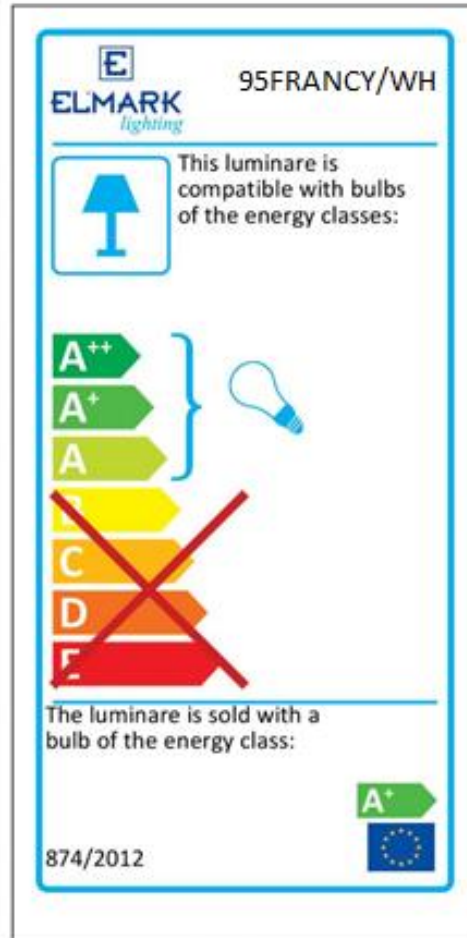
Description	Watt (W)	Whole fixture lumens (lm)	Colour temp. (K)	Lamp holder	Packing/ Box (pcs)	Catalogue number BLACK body	Catalogue number WHITE body
Facade lighting	6	800	4000	1xE27	1/24	95FRANCY/BL	95FRANCY/WH
Facade lighting	6	800	4000	1xE27	1/24	95FRANCYOP/BL	95FRANCYOP/WH

TECHNICAL SPECIFICATION

FACADE AND GROUND

ELMARK[®]

The Brand of Electricity



EN 55015 • EN 61000-3-2 • EN 61000-3-3 • EN 61547 • EN 60598-1 • EN 60598-2-2 • EN 13032-4

